

PORTABLE **GUTTER** EQUIPMENT

MACHINES OF GREAT ENDURANCE PERFORMING EFFORTLESSLY



Since Buchner Manufacturing Inc. (BMI) opened our first plant over 40 years ago in Pefferlaw, Canada, we have concentrated on delivering the perfect balance of price and quality coupled with excellence in customer service. Judging by the phenomenal growth in loyal customers, these ingredients are exactly what you need in a supplier.



Buchner Manufacturing Inc.

www.buchnermfg.com

The Perfect Balance of Price and Quality.

SUPPLIERS OF: VINYL & ALUMINUM SIDING-SOFFIT-FASCIA-EAVESTROUGH-COIL, EAVESTROUGH MACHINERY-TOOLS-PORTABLE BENDING EQUIPMENT

5" IRONMAN

STATE OF THE ART DESIGN

*Shown with Optional Deluxe Coil Cradle.



STANDARD FEATURES:

Polyurethane Drive Train

- Eliminates the need to load coil prior to transportation (less material waste)
- Rollform 24 gauge steel
- Eliminates slippage from cold weather and condensation

.002 Hard Chrome Plated Steel Forming Rollers

- Rollforms all standard metals with minimal or no adjustment
- Free-floating forming rollers produce less pressure and allow for more product uniformity

Electrical and Control System

- Push-button control safety wiring
- Entrance and exit control selector switch jog run
- 3/4 HP, 110 Volt, Single Phase Motor, 13.6 Ampere

Modular Turnstyle Upright System

- Allows for easy side loading or use of 2 side painted coils
- Spoke stock reels easily show amount of coil & protect coils when rolled on the floor

Structural Welded Steel Frame

4 Year Warranty Parts and Labour, a Buchner Mfg. Exclusive

RECOMMENDED MATERIALS	MAXIMUM GAUGE
Painted Steel	24
Galvanized Steel	24
Aluminized Steel	24
Ternecoat Steel	24
Aluminum	.032
Copper	16 oz. 3/4 hard

5/6" IRONMAN COMBINATION MACHINE



STANDARD FEATURES:

Polyurethane Drive Train

- Eliminates the need to load coil prior to transportation (less material waste)
- Rollform 24 gauge steel
- Eliminates slippage from cold weather and condensation

.002 Hard Chrome Plated Steel Forming Rollers

- Rollforms all standard metals with minimal or no adjustment
- Free-floating forming rollers produce less pressure and allow for more product uniformity

Electrical and Control System

- Push-button control safety wiring
- Entrance and exit control selector switch jog run
- 3/4 HP, 110 Volt, Single Phase Motor, 13.6 Ampere

Modular Turnstyle Upright System

- Allows for easy side loading or use of 2 side painted coils
- Spoke stock reels easily show amount of coil & protect coils when rolled on the floor

**Easiest Machine On The Market to Switch from
5" to 6" Profiles Structural Welded Steel Frame**

4 Year Warranty Parts and Labour, a Buchner Mfg. Exclusive

RECOMMENDED MATERIALS	MAXIMUM GAUGE
Painted Steel	24
Galvanized Steel	24
Aluminized Steel	24
Ternecoat Steel	24
Aluminum	.032
Copper	16 oz. 3/4 hard

IRONMAN JUNIOR

THE NEW IRONMAN JUNIOR IS SMALL ENOUGH TO FIT IN THE BACK OF A PICK-UP TRUCK!



STANDARD FEATURES:

Polyurethane Drive Train

- Eliminates the need to load coil prior to transportation (less material waste)
- Eliminates slippage from cold weather and condensation

.002 Hard Chrome Plated Steel Forming Rollers

- Rollforms all recommended materials with minimal or no adjustment
- Free-floating forming rollers produce less pressure and allow for more product uniformity

Electrical and Control System

- Push button entry and exit end controls with safety wiring and "jog" feature
- 3/4 HP, 110 Volt, Single Phase Motor, 13.6 Ampere

Structural Steel Frame

- Welded tubular frame

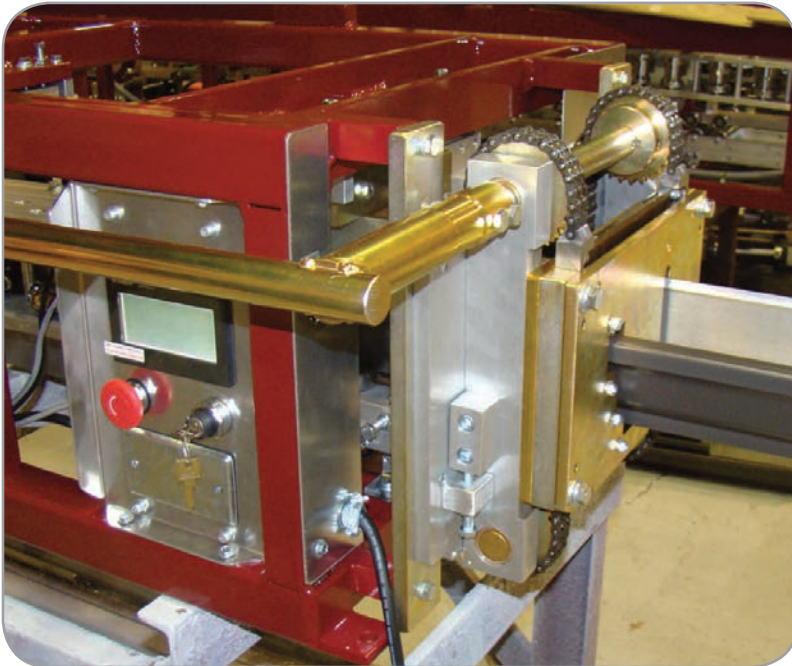
Modular Turnstile Upright System & Transfer Bars

- Transfer bars (ease of coil loading)

4 Year Warranty Parts and Labour, a Buchner Mfg. Exclusive

RECOMMENDED MATERIALS	MAXIMUM GAUGE
Aluminum	.032

IRONMAN THE NEXT GENERATION SMART MACHINE



LET THE **IRONMAN NEXT GENERATION SMART MACHINE** DO THE WORK FOR YOU, BY CONTROLLING GUTTER LENGTHS PLUS OR MINUS 1/8" WITHOUT MANUALLY MEASURING!

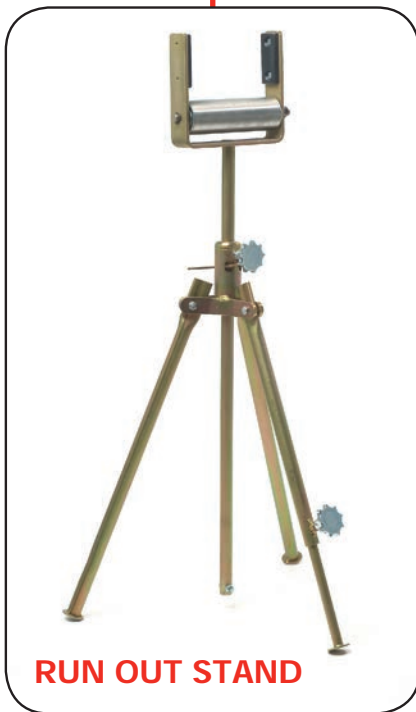
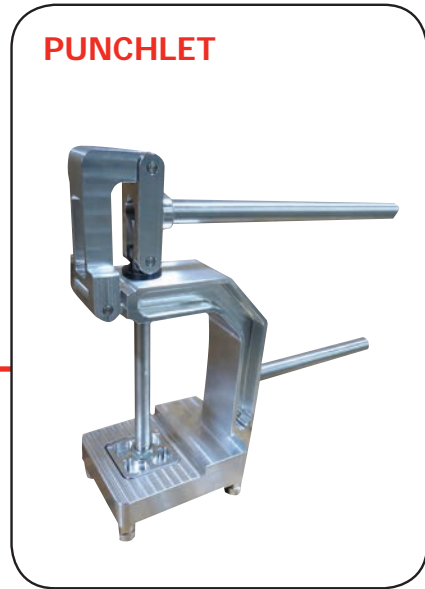
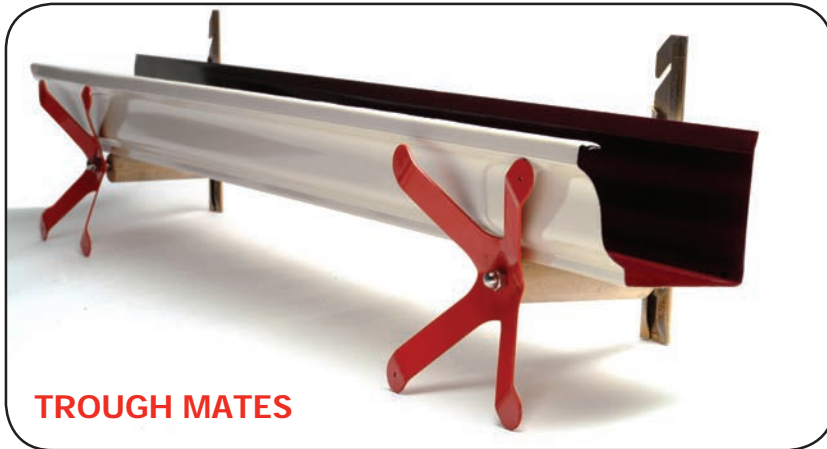
HERE'S HOW:

- The operator inputs the length on the touch screen and pushes "start."
- The machine runs to length, allowing the operator to pause to install hangers, components, or to adjust measurements, if needed.
- Push "resume" to finish the run.
- With the run complete, the operator just cuts the gutter.

With a touch of the screen, the Ironman Next Generation Smart Machine will automatically add for miters, if applicable, and keep a total of the daily material ran and the total footage. Activate the password protection feature and you'll be assured only authorized personnel will be able to operate the machine.

Contact Buchner Mfg. today to learn more!

ACCESSORIES



COIL REWINDERS



— GUTTER COIL REWINDER

*Coil cradles are not included.

GUTTER COIL REWINDER — WITH 24" OPTION

*Coil cradles are not included.



SPECIFICATIONS

		5" IRONMAN	6" IRONMAN	5/6" IRONMAN COMBO
POWER		13.6 Amp • 3/4 HP, 110V. Single Phase		
TOTALLY ENCLOSED FAN COOLED MOTOR (TEFC)		•	•	•
DIMENSIONS	LENGTH	98.5" (250.2 cm)	122" (309.88 cm)	122" (309.88 cm)
	HEIGHT	48" (122 cm)	48" (122 cm)	48" (122 cm)
	WIDTH	24" (61 cm)	24" (61 cm)	24" (61 cm)
	WEIGHT (Approx.)	1100 lbs (499 kg)	1300 lbs (589.7 kg)	1400 lbs (635 kg)
DRIVE		Powered Polyurethane Drive Rollers via Chains and Sprockets		
SHEARS		Front Pull Guillotine		
SPEED (Approx.)		35 Feet Per Minute		
CONTROLS	PUSH BUTTON ENTRY & EXIT	•	•	•
	JOG FEATURE	•	•	•
RECOMMENDED MATERIALS (Maximum Width)		11.875"	15"	11.875" to 15"
OPTIONS				
MACHINE MOUNT SWIVEL CRADLES		•	•	•
ADDITIONAL RUNOUT SUPPORT STANDS		•	•	•
SMART MACHINE (AUTOMATED LENGTH CONTROL)		•	•	•
FIXED UPRIGHT SYSTEM		•	•	•
ADDITIONAL TURNSTYLES & SPOOLS (Max. 3)		•	•	•
ALCOA STYLE HOOK		•	•	•
220V/50Hz (CE CERTIFIED) OVERSEAS WIRING		•	•	•
12 VOLT POWER INVERTER to 110 VOLT, AC POWER		•	•	•
TRAILER RISER PAD		•	•	•
LEAF RIB ROLLER ASSEMBLY		•	•	•

		5" JUNIOR	6" JUNIOR	5/6" JUNIOR COMBO
POWER		11 Amp • 3/4 HP, 110V. Single Phase		
TOTALLY ENCLOSED FAN COOLED MOTOR (TEFC)		•	•	•
DIMENSIONS	LENGTH	83" (210.8 cm)	110" (279.4 cm)	110" (279.4 cm)
	HEIGHT	33" (83.8 cm)	48" (122.0 cm)	48" (122.0 cm)
	WIDTH	24" (61.0 cm)	24" (61.0 cm)	30.5" (77.5 cm)
	WEIGHT (Approx.)	686 lbs (311.2 kg)	971 lbs (441.4 kg)	1,127 lbs. (512.3 kg)
DRIVE		Powered Polyurethane Drive Rollers via Chains and Sprockets		
SHEARS		Front Pull Guillotine		
SPEED (Approx.)		35 Feet Per Minute		
CONTROLS	PUSH BUTTON ENTRY & EXIT	•	•	•
	JOG FEATURE	•	•	•
RECOMMENDED MATERIALS (Maximum Width)		11.875"	15"	11.875" to 15"
OPTIONS				
MACHINE MOUNT SWIVEL CRADLES		•	•	•
ADDITIONAL RUNOUT SUPPORT STANDS		•	•	•
SMART MACHINE (AUTOMATED LENGTH CONTROL)		•	•	•
ADDITIONAL TURNSTILES & SPOOLS		•	•	•
220V/50Hz (CE CERTIFIED) OVERSEAS WIRING		•	•	•
12 VOLT POWER INVERTER to 110 VOLT, AC POWER		•	•	•
TRAILER RISER PAD		•	•	•
LEAF RIB ROLLER ASSEMBLY		•	•	•